



Push to Turn Latchlock

Introducing the new and improved push-to-turn latchlock from Lowe & Fletcher. Manufactured in the UK to exacting standards, this lock has a distinct and audible "click" when the handle reaches the locked position. This, combined with a smooth rotational feel, makes it very easy to use.

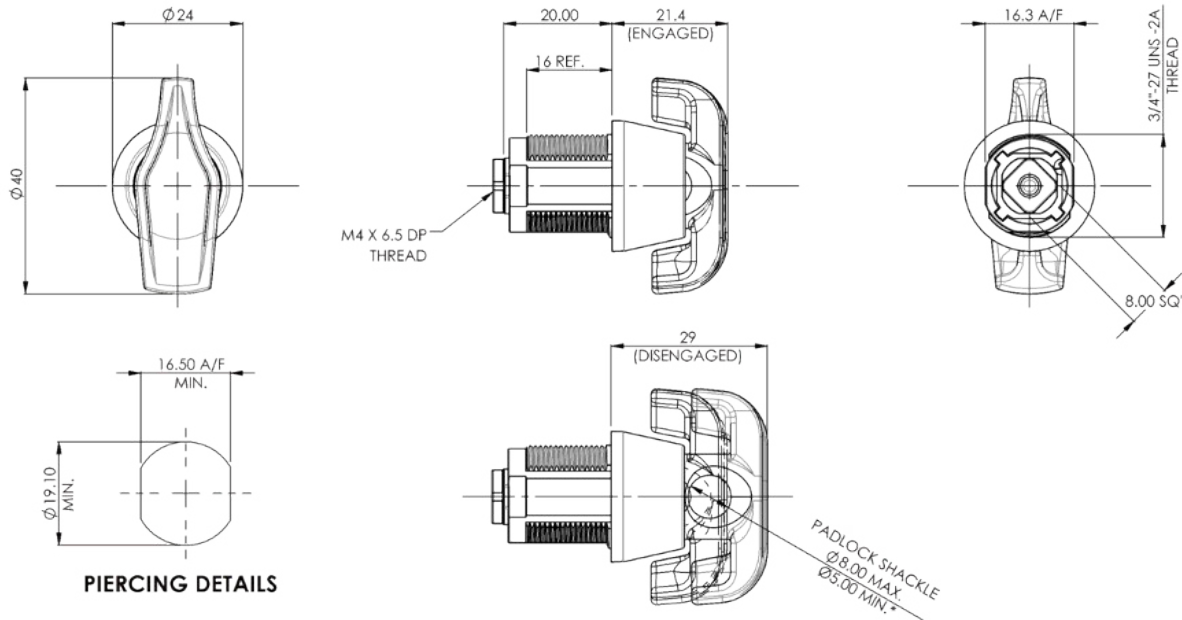
When secured with a padlock, the latchlock handle is disengaged and spins freely to help prevent the lock being forced.

With a robust design and simplicity of use, this latchlock is extremely versatile and suitable for a broad range of applications including lockers, office furniture and personal storage in any environment.

Standard Features

- ✓ Standard movements: 01 (90°CW), 02 (90°ACW)
- ✓ Standard finish: Barrel Nickel
Bright Chrome (available on request)
Satin Chrome (available on request)
- ✓ Recommended shackle: Ø5mm min. – Ø8mm max
- ✓ Nut Fix Housing: ≤13mm panel thickness
- ✓ Smooth transition for handle engagement
- ✓ Positive 'click' between open and closed position
- ✓ Free-wheel system with padlock fitted
- ✓ Zinc diecast construction
- ✓ Handle customisation (available on request)

Push to Turn Latchlock



*MINIMUM PADLOCK SHACKLE DIAMETER BASED ON 20mm INTERNAL SHACKLE RADIUS

Product ID: 5720

Product Code	N/A	Movement	Finish
5720	0	1 – Right-hand (90° CW to open)	7B – Barrel nickel
		2 – Left-hand (90° ACW to open)	2A – Polished chrome*
			2C – Satin chrome*

e.g. 5720017B

*Available on request



Lowe & Fletcher Ltd (UK)
E: sales@lowe-and-fletcher.co.uk
T: +44 (0) 121 505 0400
W: www.lowe-and-fletcher.co.uk

Lowe & Fletcher Inc (USA)
E: sales@loweandfletcherinc.com
T: +1 (616) 994 0490
W: www.loweandfletcherinc.com



Euro-Locks SA NV (Belgium)
E: sales@euro-locks.be
T: +32 61 212.261
W: www.euro-locks.com

Euro-Locks SA (France)
E: euro-locks@euro-locks.fr
T: +33 (0)3.87.92.61.11
W: www.euro-locks.fr

Euro-Locks Sicherheitseinrichtungen GmbH (Germany)
E: vertrieb@euro-locks.de
T: +49 (0) 6897 9072 0
W: www.euro-locks.de

Euro-Locks Sp. z o. o. (Poland)
E: sekretariat@euro-locks.pl
T: +48 (32) 344-78-70, -82, -84
W: www.euro-locks.pl