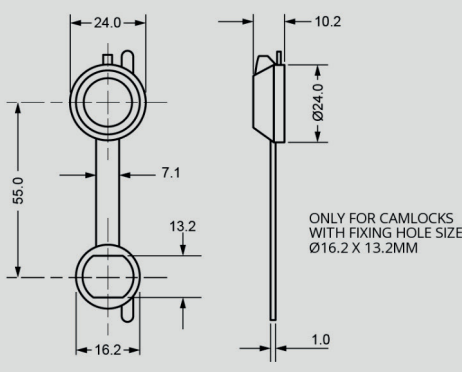
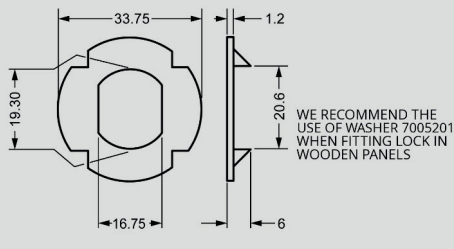
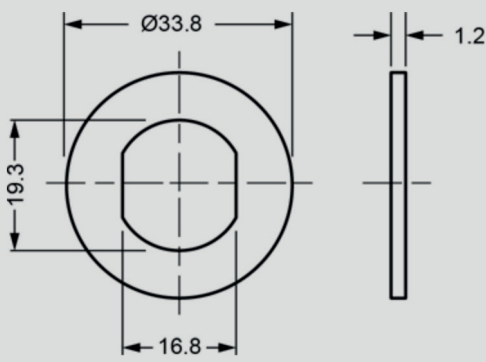
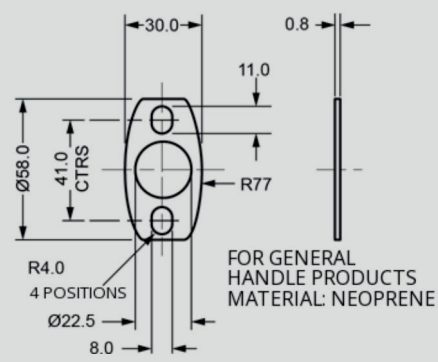
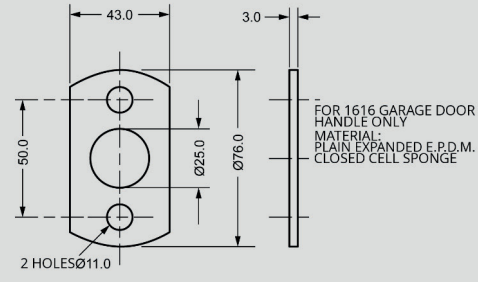
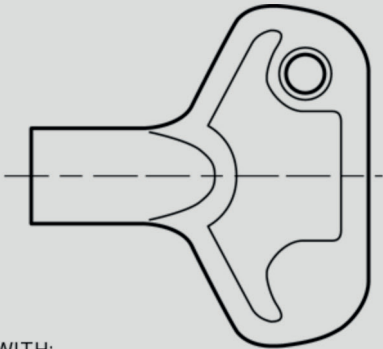
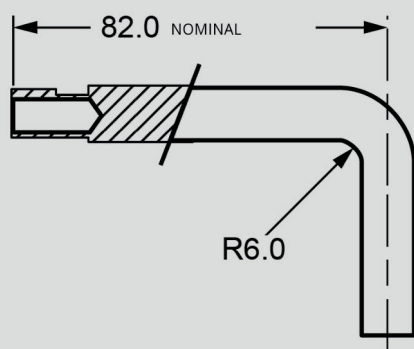

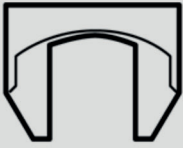
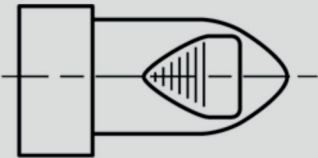
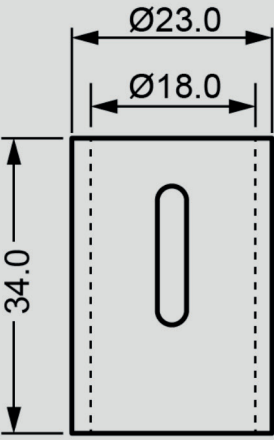

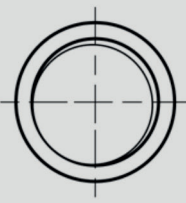

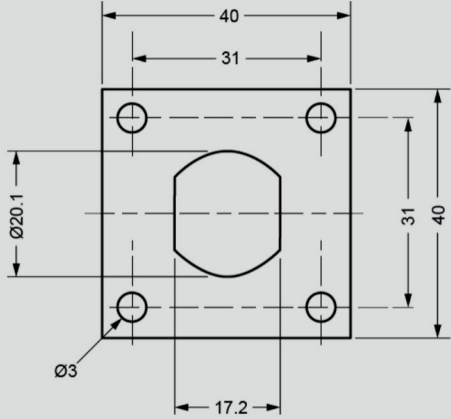
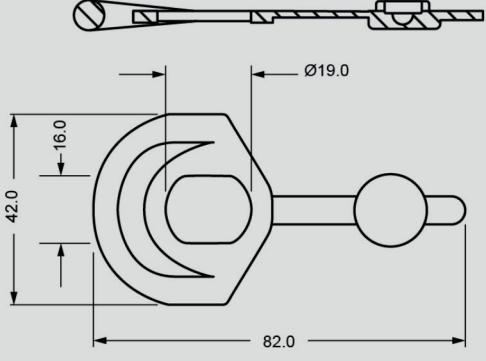
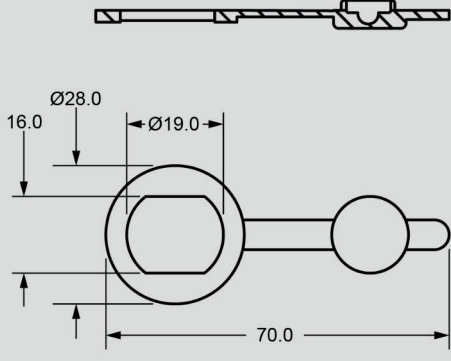
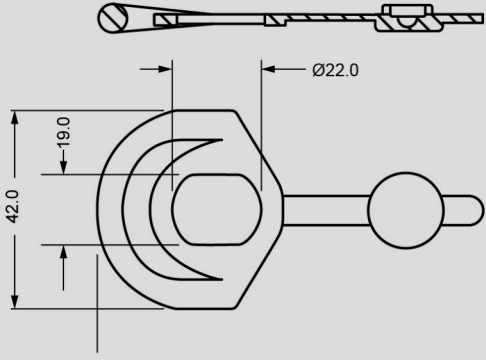
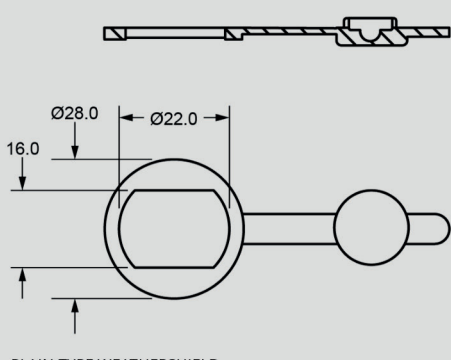


<p>PLASTIC CAP PRODUCT No. 9210901</p>	<p>WASHER PRODUCT No. 7005201</p>
 <p>ONLY FOR CAMLOCKS WITH FIXING HOLE SIZE Ø16.2 X 13.2MM</p>	 <p>WE RECOMMEND THE USE OF WASHER 7005201 WHEN FITTING LOCK IN WOODEN PANELS</p>
<p>WASHER PRODUCT No. 9011201</p>	<p>GASKET FOR HANDLES PRODUCT No. 6700101</p>
	 <p>FOR GENERAL HANDLE PRODUCTS MATERIAL: NEOPRENE</p>
<p>GASKET FOR HANDLES PRODUCT No. 6700201</p>	<p>PRODUCT No. 6700201</p>
 <p>FOR 1616 GARAGE DOOR HANDLE ONLY MATERIAL: PLAIN EXPANDED E.P.D.M. CLOSED CELL SPONGE</p>	<p>PRODUCT No. 6700201</p>
<p>BUDGET KEY PRODUCT No. 80054-0100</p>	<p>BUDGET LOCK KEY PRODUCT No. 87343-0401DA</p>
 <p>FOR USE WITH: 2401, 4282, 4283, 4284, 4285, 5500</p>	 <p>FOR USE WITH 5505</p>

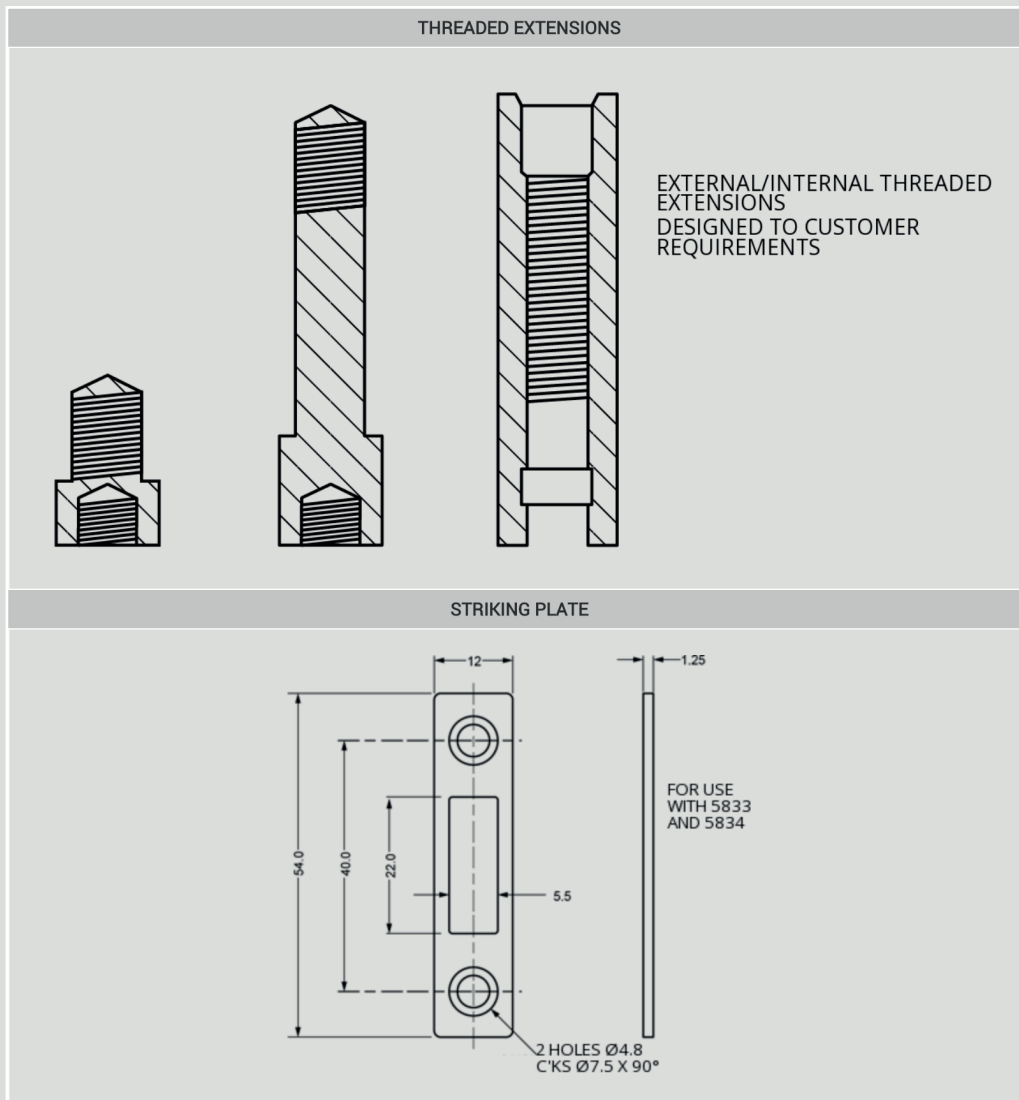
Continued...

SPRING CLIP	PRODUCT No.91087-0100	SPRING CLIP	PRODUCT No.9105401
 <p data-bbox="373 607 735 633">FOR USE WITH 4303 AND RPT LOCKS</p>	 <p data-bbox="852 546 1078 573">FOR USE WITH 5804/5806</p>		
SNAP-IN EXTENSION	PRODUCT No. 88056-0100	BRASS INSERT	PRODUCT No. 87308-0110
 <p data-bbox="378 1099 676 1126">FOR USE WITH 4333 AND 5500</p>		 <p data-bbox="847 1267 1015 1294">FOR USE WITH 4339</p>	
ROSETTE	PRODUCT No. 70024-0100	ROSETTE	PRODUCT No. 70114-0100
<p data-bbox="378 1397 485 1424">7002401</p>  <p data-bbox="389 1688 655 1738">FOR USE WITH 4282, 4360, 5860 AND 5861</p>		<p data-bbox="842 1420 932 1447">7011401</p>  <p data-bbox="847 1682 1254 1720">FOR USE WITH 4286, 4362 AND WOODEN OFFICE FURNITURE LOCKS WITH Ø 19.0MM NOZZLE.</p>	

Continued...

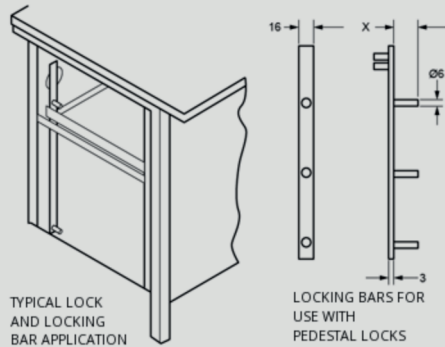
ROSETTE		PRODUCT No. 7008003 PLATE B4141	
<p>7008003</p>  <p>FOR USE WITH WOODEN OFFICE FURNITURE LOCKS WITH Ø 16.3 - 16.5MM NOZZLE.</p>			
WEATHER SHIELD		PRODUCT No. 92113-0200	WEATHER SHIELD CLIP
 <p>FINGER PULL TYPE WEATHERSHIELD</p>		 <p>PLAIN TYPE WEATHERSHIELD</p>	
WEATHER SHIELD		PRODUCT No. 92113-0300	WEATHER SHIELD
 <p>FINGER PULL TYPE WEATHERSHIELD</p>		 <p>PLAIN TYPE WEATHERSHIELD</p>	

Continued...



Continued...

MULTI-DRAWER FITTINGS

ADJUSTABLE PEGS
8009801SADDLE
7015501

LOCKING BAR PEGS - RIVETTED

DIM.X

88004-0100	13mm
88004-0200	20mm
88004-0300	25mm
88004-0400	8,5mm
88004-0500	10mm
88004-0600	7,5mm
88004-0700	19mm
88004-0800	26mm
88004-0900	30mm
88004-1000	3,5mm
88004-1100	16mm
88004-1200	5,5mm
88004-1300	22mm
88004-1400	45mm
88004-1500	2,5mm

LOCKING BAR PEGS - THREADED

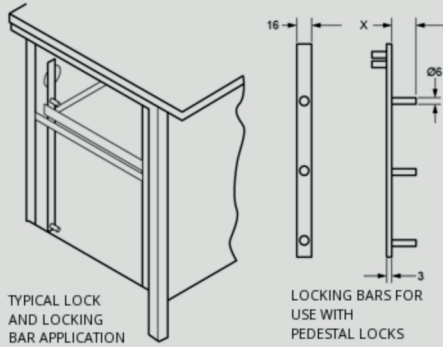
DIM.X

88044-0100	7mm
88044-0200	10mm
88044-0300	13mm
88044-0400	16mm
88044-0500	20mm
88044-0600	26mm
88044-0700	32mm
88044-0800	45mm
88044-0900	38mm
88044-1100	12mm
88044-1200	5,5mm
88044-1300	22,5mm
88044-1400	29,5mm
88044-1500	18mm

LOCKING BARS ARE MADE TO INDIVIDUAL CUSTOMER REQUIREMENTS ONLY. FOR QUOTATIONS PLEASE SEND DETAILED DRAWING TO OUR SALES OFFICE.

Continued...

MULTI-DRAWER FITTINGS

ADJUSTABLE PEGS
8009801SADDLE
7015501

LOCKING BAR PEGS - RIVETTED

DIM.X

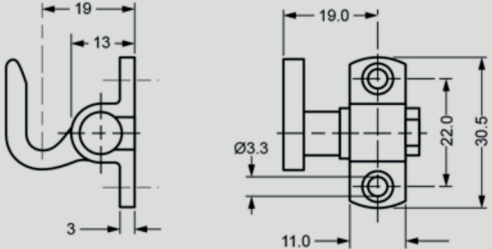
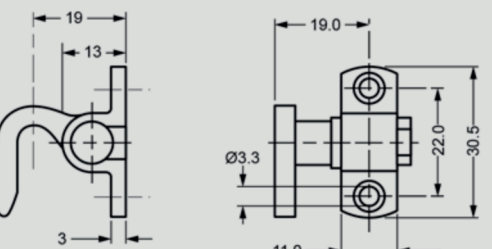
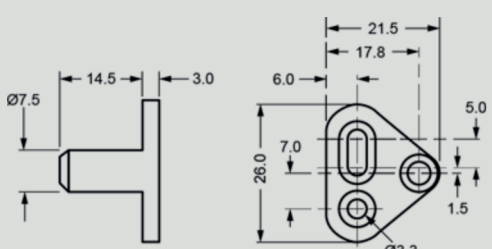
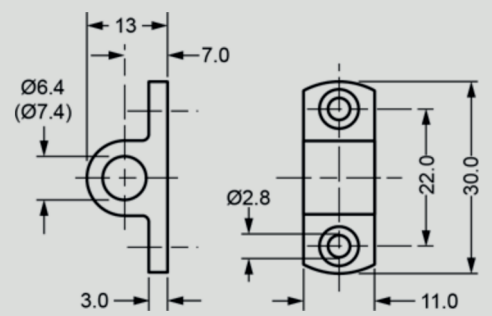
88004-0100	13mm
88004-0200	20mm
88004-0300	25mm
88004-0400	8,5mm
88004-0500	10mm
88004-0600	7,5mm
88004-0700	19mm
88004-0800	26mm
88004-0900	30mm
88004-1000	3,5mm
88004-1100	16mm
88004-1200	5,5mm
88004-1300	22mm
88004-1400	45mm
88004-1500	2,5mm

LOCKING BAR PEGS - THREADED



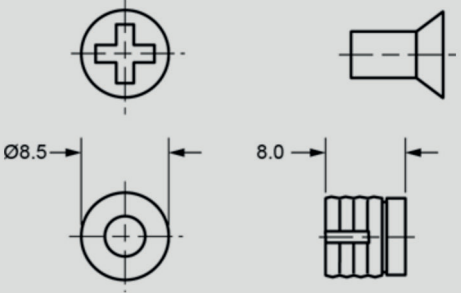
DIM.X

88044-0100	7mm
88044-0200	10mm
88044-0300	13mm
88044-0400	16mm
88044-0500	20mm
88044-0600	26mm
88044-0700	32mm
88044-0800	45mm
88044-0900	38mm
88044-1100	12mm
88044-1200	5,5mm
88044-1300	22,5mm
88044-1400	29,5mm
88044-1500	18mm

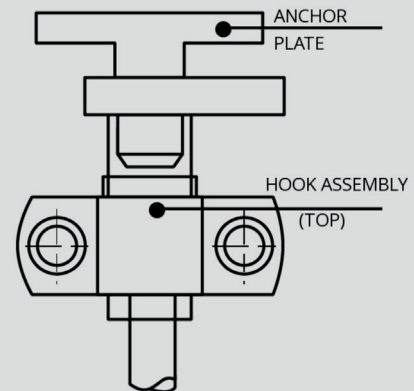
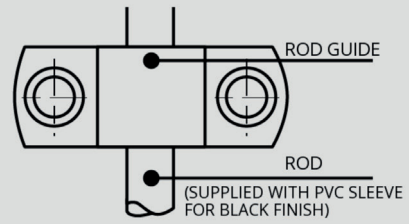
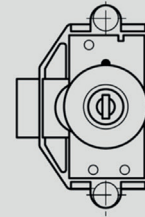
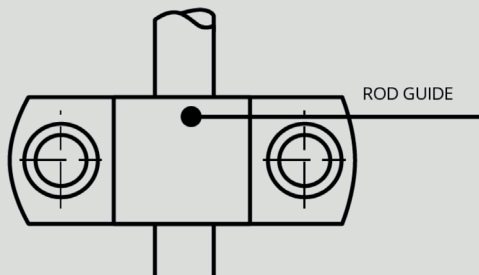
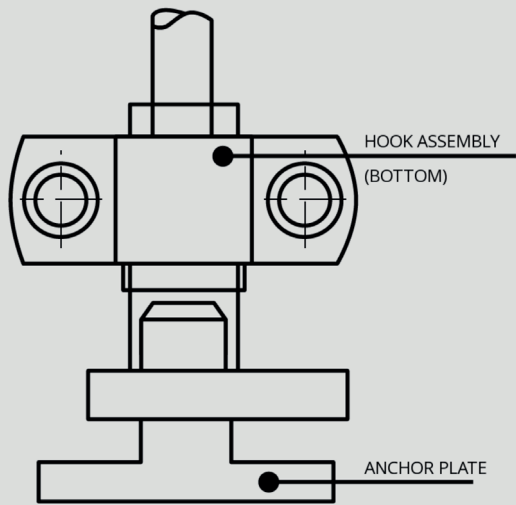
LOCKING BARS ARE MADE TO INDIVIDUAL CUSTOMER REQUIREMENTS ONLY. FOR QUOTATIONS PLEASE SEND DETAILED DRAWING TO OUR SALES OFFICE.

HOOK ASSEMBLY TOP	PRODUCT No.
	<p>8010507 - BRIGHT NICKEL PLATE 8010509 - BLACK CHROME</p>
HOOK ASSEMBLY BOTTOM	PRODUCT No.
	<p>8010517 - BRIGHT NICKEL PLATE 8010519 - BLACK CHROME</p>
ANCHOR PLATE	PRODUCT No.
	<p>8010707 - BRIGHT NICKEL PLATE 8010709 - BLACK CHROME</p>
ROD GUIDE	PRODUCT No.
	<p>8010607 - BRIGHT NICKEL PLATE 8010599 - BLACK CHROME</p>

Continued...

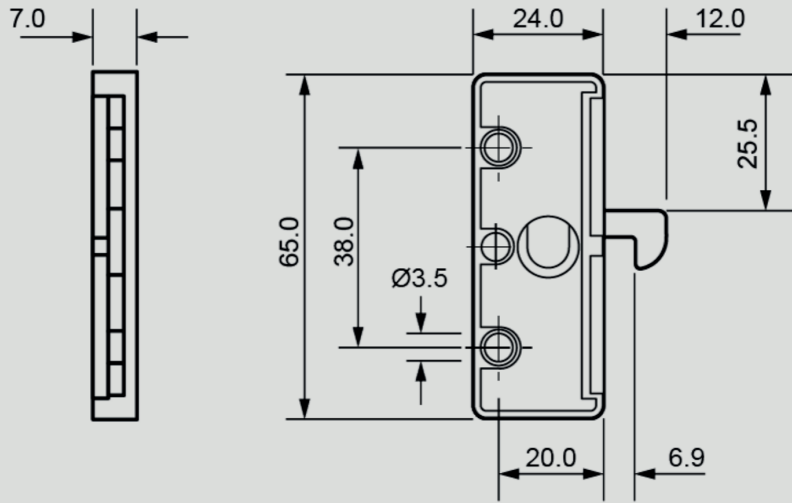
ROD		PRODUCT No.9061801
		8808001 - BRIGHT NICKEL PLATE LENGTH TO CUSTOMER REQUIREMENT MAX 2000mm SUPPLIED WITH PVC SLEEVE FOR BLACK FINISH.
FIXING SCREWS - TWINSTART 'POZIDRIVE' WOODSCREW		PRODUCT No.
(2 PER ASSEMBLY)		
		RECOMMENDED PILOT HOLE SIZE: HARDWOODS AND HIGH DENSITY BOARDS Ø 2.5 X 7.2 DEEP SOFT WOODS AND LOW DENSITY BOARDS Ø 1.8 X 7.2 DEEP
FIXING SCREWS - 'POZIDRIVE SCREW PRESS IN DOWEL		PRODUCT No.
(2 OFF EACH PER ASSEMBLY)		PRODUCT No.
		'POZIDRIVE' SCREW 9084708 PRESS IN DOWEL 9203004 RECOMMENDED HOLE SIZE - Ø 8.0 X 8.0 DEEP

4131007 - NICKEL PLATE
4131009 - BLACK CHROME

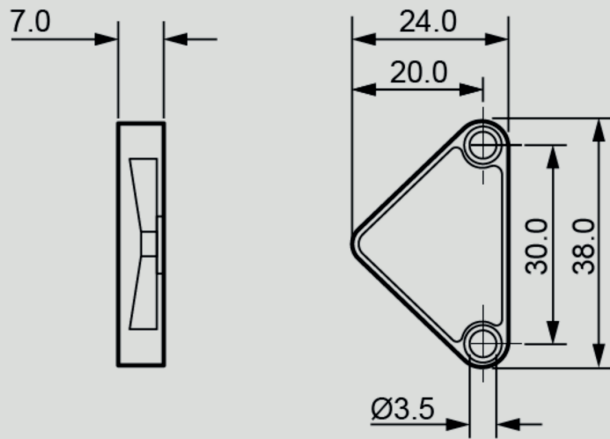


REFER TO ESPAGNOLET ACCESSORIES SECTION FOR INDIVIDUAL PART NUMBERS AND DIMENSIONS

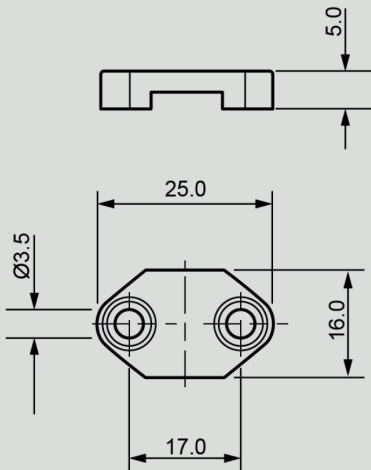
LATCH ASSEMBLY
8010527 - RIGHT HAND, 8010528 - LEFT HAND



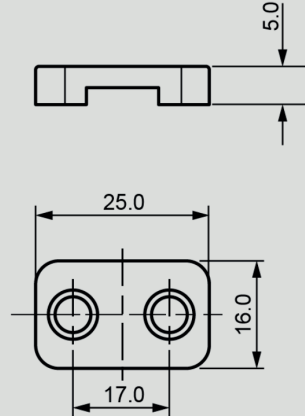
9212407 - LATCH PLATE



9212408
ACTUATOR BAR GUIDE(BLACK NYLON)

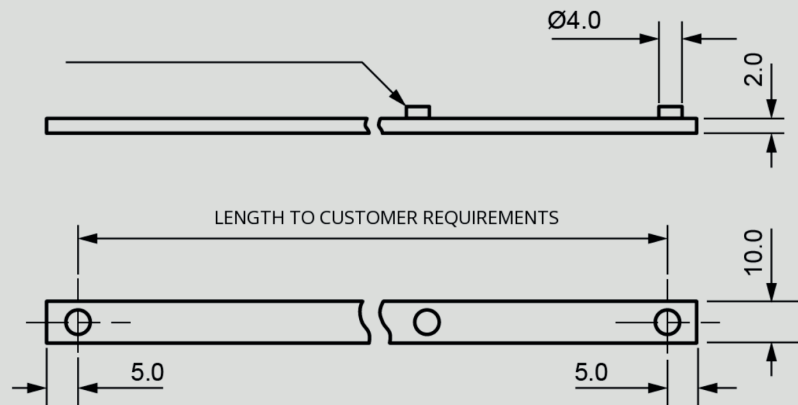


8010577
ACTUATOR BAR GUIDE(NIKEL PLATE DIECAST)



Continued...

7008XXX - ACTUATOR BAR



7008XXX - CRANKED ACTUATOR BAR

