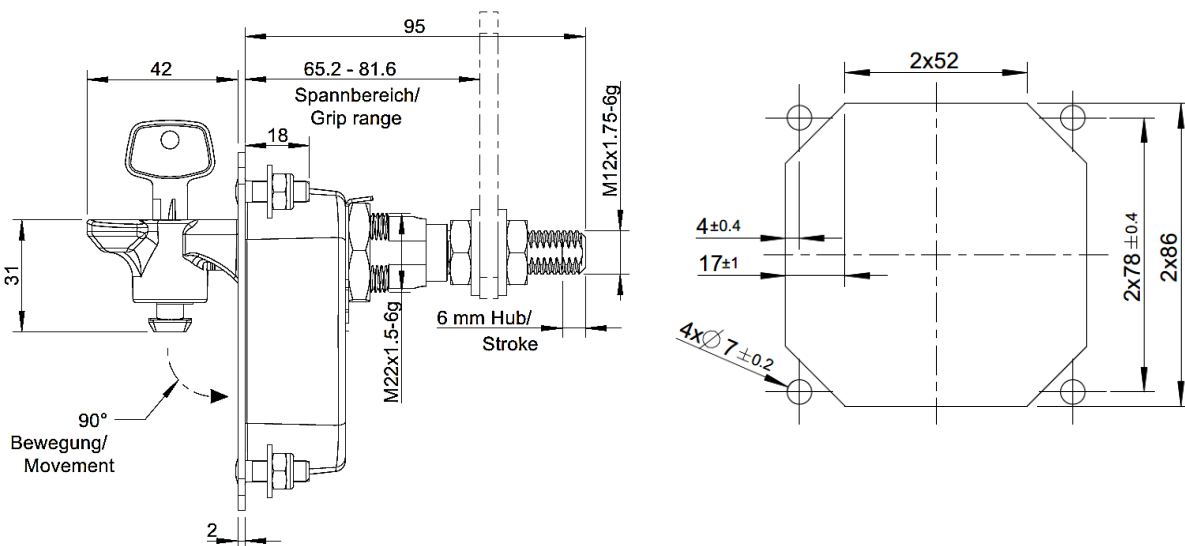




EURO-LOCKS
LOCKING SYSTEMS FOR INDUSTRY



Heavy Duty Lift & Turn Compression Latch

Standard features:

- Standard mounting holes
- Material thickness: 0.6 - 10 mm
- Vibration-proof mounting
- Robust stainless steel cup in RAL 9005 glossy black
- 200 Standard differs
- Dust and particle protected locking cylinder
- Stainless steel cam available in various designs
- Available with or without cup
- Bespoke locking systems and finishes available on request