



EURO-LOCKS
LOCKING SYSTEMS FOR INDUSTRY



PRINTER LOCK

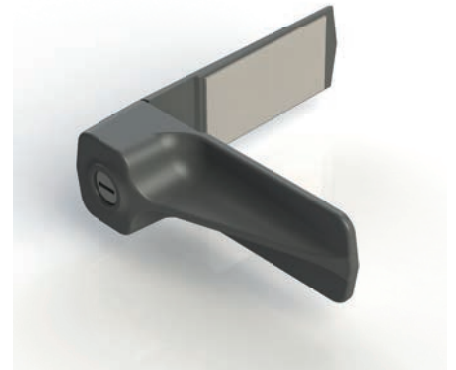
Introducing our easy to fit printer lock designed and manufactured in the UK to exacting standards. This lock can be fitted to printers to secure sensitive documents within, or can be used on doors or drawers as a deterrent to unauthorised entry.

Suitable for commercial, industrial or even domestic environments, this lock simply sticks to the outside surfaces of the drawer or door to provide instant security with no holes to drill.

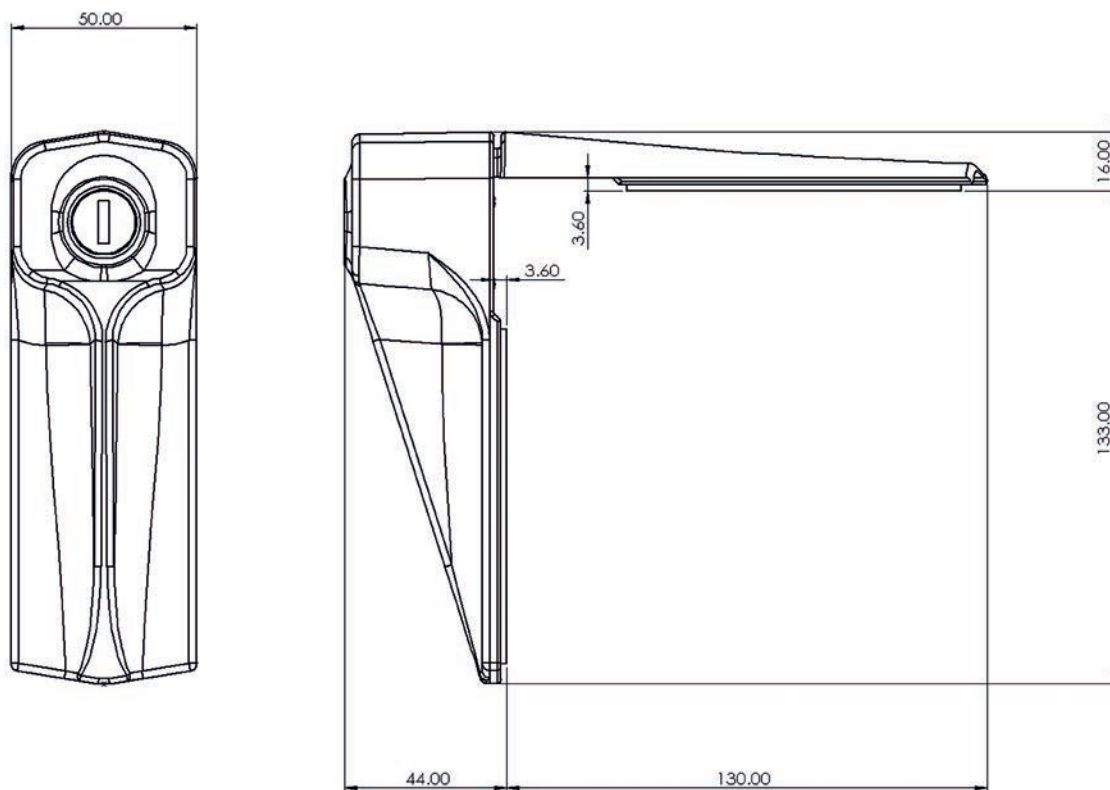
Industrial grade adhesive pads, high grade materials and a Lowe & Fletcher lock assure an excellent level of security. To fit the lock, simply clean the surfaces with cleaning wipes supplied and use the adhesive pads to position the lock. It's ready to use.

A turn of the key releases the front section, allowing the door or drawer to open. Turn the key again if you need it to lock when it is next closed or remove the key if you want it to stay unlocked.

Security was never so simple.



CONVENIENT AND VERSATILE SYSTEM
NO HOLES TO DRILL



Standard Features

- Fits most drawers and doors with flat surfaces
- Easy fitting – no holes to drill
- Retro-fits to existing furniture
- Simple fitting to new furniture
- Fits left and right-hand applications
- High strength plastic body
- Industrial strength adhesive pads
- De-greasing wipes supplied
- High quality camlock
- Satin Black as standard
- Slam-to-lock function

7710H Kit Contents

- Two lock mouldings with lock cartridge assembled
- Two keys
- Two self-adhesive pads with peelable backing
- Two de-greasing wipes
- Fitting instructions
- Carton
- Carton closure label

Euro-Locks SA NV (Belgium)

E: sales@euro-locks.be

T: +32 61 212.261

W: www.euro-locks.be

Euro-Locks SA (France)

E: euro-locks@euro-locks.fr

T: +33 (0)3.87.92.61.11

W: www.euro-locks.fr

Euro-Locks Sicherheitseinrichtungen GmbH (Germany)

E: vertrieb@euro-locks.de

T: +49 (0) 6897 9072 0

W: www.euro-locks.de

Euro-Locks Sp. z o. o. (Poland)

E: sekretariat@euro-locks.pl

T: +48 (32) 344-78-70, -82, -84

W: www.euro-locks.pl