



# Touchscreen Terminal

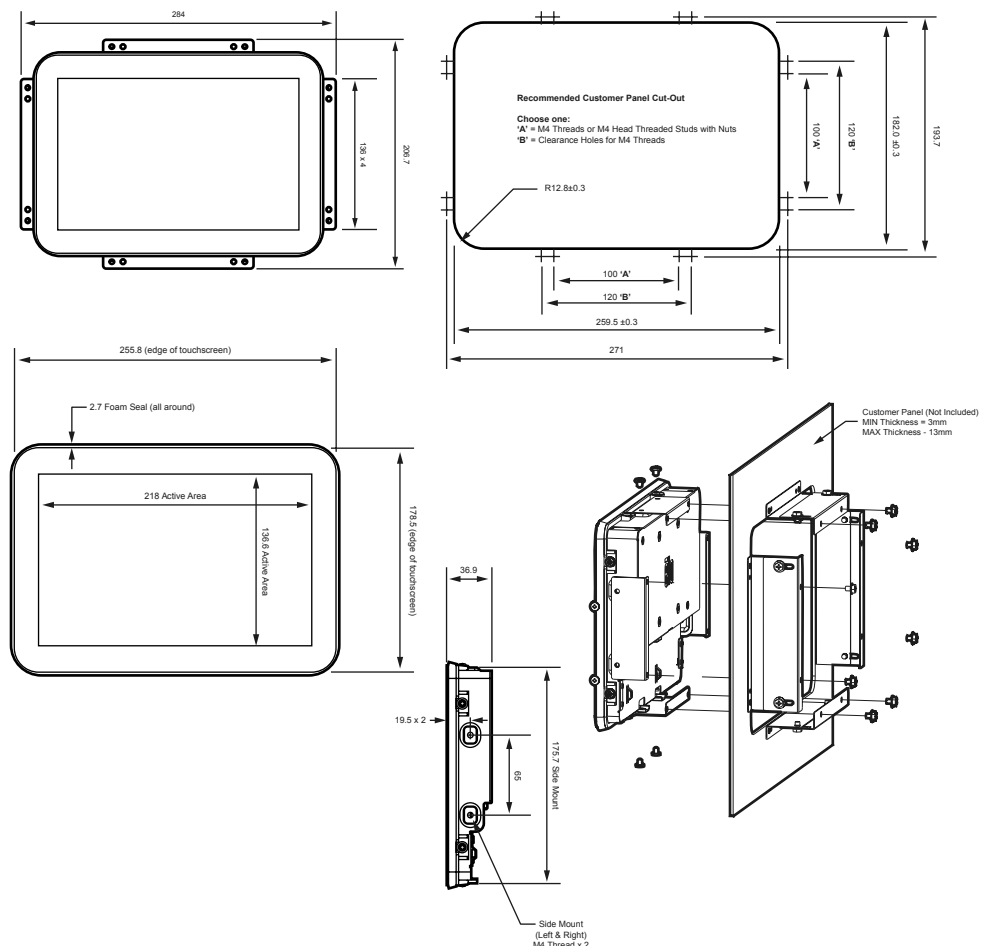
## Zodiac Data Sheet

The Zodiac system includes a 10.1-inch open-frame LCD touchscreen. Its slim design and narrow outer dimensions are achieved with a modern, energy-efficient LED backlight, which reduces power consumption and heat generation.

This compact, touch-enabled display offers stable, drift-free operation, delivering excellent image clarity and light transmission for precise touch responses and vibrant visuals.

The gloss black touchscreen is designed for flush mounting on locker faces. Bright, high-resolution, and robust, it is suitable for public use in supervised indoor settings like building lobbies. Installation is straightforward with adaptable fixing brackets.

The intuitive control system features both Wi-Fi and ethernet connectivity.



# 1093L 10.1-inch Open-Frame Touchscreen

Specifications	
Colour	Black
Active Display Area	8.54" x 5.34" / 216.96mm x 135.6mm
Diagonal	10.1"
Aspect Ratio	16:10
Dimensions	10.07" x 7.03" x 1.45" / 255.8mm x 178.5mm x 36.9mm
Native Resolution	1280 x 800 at 60Hz
Other Supported Resolutions	640x480 at 60Hz; 720x400 at 70Hz; 800x500 at 60Hz; 800x600 at 56, 60Hz; 1024x768 at 60Hz; 1280x800 at 60Hz; 1920x1080 at 60Hz; 1920x1200 at 60Hz
Number of Colours	262K
Number of Touches	10-touch
Brightness (typical)	LCD Panel: 350 nits; TouchPro PCAP: 315 nits
Response (typical)	25msec
Viewing Angle	Horizontal: 85°/170°; Vertical: 85°/170°
Contrast Ratio	800:1
On-Screen Display	Accessible through switches on the unit's tethered OSD Control box.   Controls: Menu, Up, Down, Select, Power Settings: Brightness, Contrast, Clock, Phase, H-position, V-position, Auto-Adjust, Aspect Ratio, Sharpness, Color, Temperature, OSD Timeout, OSD Language, OSD H-Position, OSD V-Position, Recall Defaults, Video Priority, Information, Touch On Sleep Mode, Touch Through Languages: English, French, Italian, German, Spanish, Simplified Chinese, Traditional Chinese, Japanese   Lockouts: OSD, Power
Video	HDMI V1.3 Type A receptacle for HDMI input   Analog VGA on Female DB-15 connector   Display Port V1.1a - Supports later versions of Display Port video input   Input Video Horizontal Sync frequency range: 30 – 60KHz   Input Video Vertical Sync (frame rate) frequency range: 50-75Hz
Power	External DC - Optional power brick (sold separately)   Monitor input power connector: Coaxial power jack (2.0mm (+0.0 -0.1mm) pin outer diameter, 6.4mm (+/- 0.3mm) barrel inner diameter, 8.8mm   (+/- 0.3mm) barrel depth)   Monitor input power signal specifications: 12VDC +/- 5% Adapter output power connector: DC barrel plug (2.1mm (+/- 0.1mm) pin inner diameter, 5.5mm (+/- 0.05mm) barrel outer diameter, 9.5mm (+/- 0.3mm) barrel length)
Power Consumption	ON (monitor + power brick): 6.1W   SLEEP (monitor + power brick): 0.7W   OFF (monitor + power brick): 0.5W
Temperature	Operating: 0 °C to 40 °C (32 °F to 104 °F); Storage: -20 °C to 60 °C (-4 °F to 140 °F)
Humidity	Operating: 20% to 80%; Storage: 10% to 95%
Weight	Unpackaged: 2.65 lbs / 1.2 kg; Packaged: 5.73 lbs / 2.6 kg
Mounting Options	75mm VESA mount; Flush mount with included brackets; 2-hole mounting interface on all 4 sides
MTBF	50,000 hours demonstrated
Agency Approvals	UL, FCC; RCM; cUL, IC; CCC; CE, TUV; VCCI; KCC; CoC; BSMI; CB; EAC; RoHS, China RoHS, WEE



Euro-Locks SA NV (Belgium)

E: [sales@euro-locks.be](mailto:sales@euro-locks.be)

T: +32 61 212.261

W: [www.euro-locks.com](http://www.euro-locks.com)

Euro-Locks Sicherheitseinrichtungen GmbH (Germany)

E: [vertrieb@euro-locks.de](mailto:vertrieb@euro-locks.de)

T: +49 (0) 6897 9072 0

W: [www.euro-locks.de](http://www.euro-locks.de)



Euro-Locks Sp. z o. o. (Poland)

E: [sekretariat@euro-locks.pl](mailto:sekretariat@euro-locks.pl)

T: +48 (32) 344-78-70, -82, -84

W: [www.euro-locks.pl](http://www.euro-locks.pl)

Euro-Locks SA (France)

E: [euro-locks@euro-locks.fr](mailto:euro-locks@euro-locks.fr)

T: +33 (0)3.87.92.61.11

W: [www.euro-locks.fr](http://www.euro-locks.fr)

Lowe & Fletcher Ltd (UK)

E: [sales@lowe-and-fletcher.co.uk](mailto:sales@lowe-and-fletcher.co.uk)

T: +44 (0) 121 505 0400

W: [www.lowe-and-fletcher.co.uk](http://www.lowe-and-fletcher.co.uk)

Lowe & Fletcher Inc (USA)

E: [sales@loweandfletcherinc.com](mailto:sales@loweandfletcherinc.com)

T: +1 (616) 994 0490

W: [www.loweandfletcherinc.com](http://www.loweandfletcherinc.com)